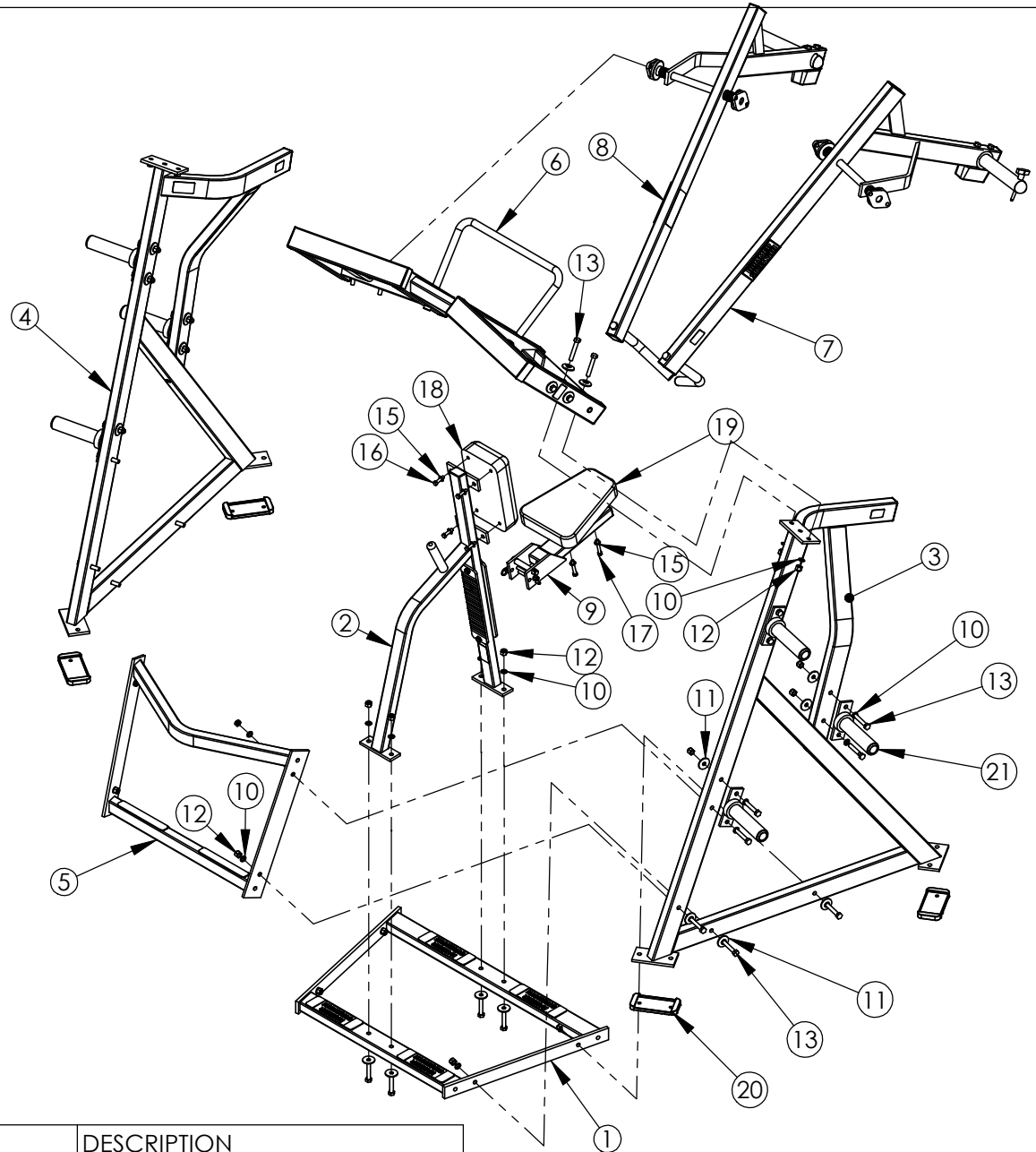


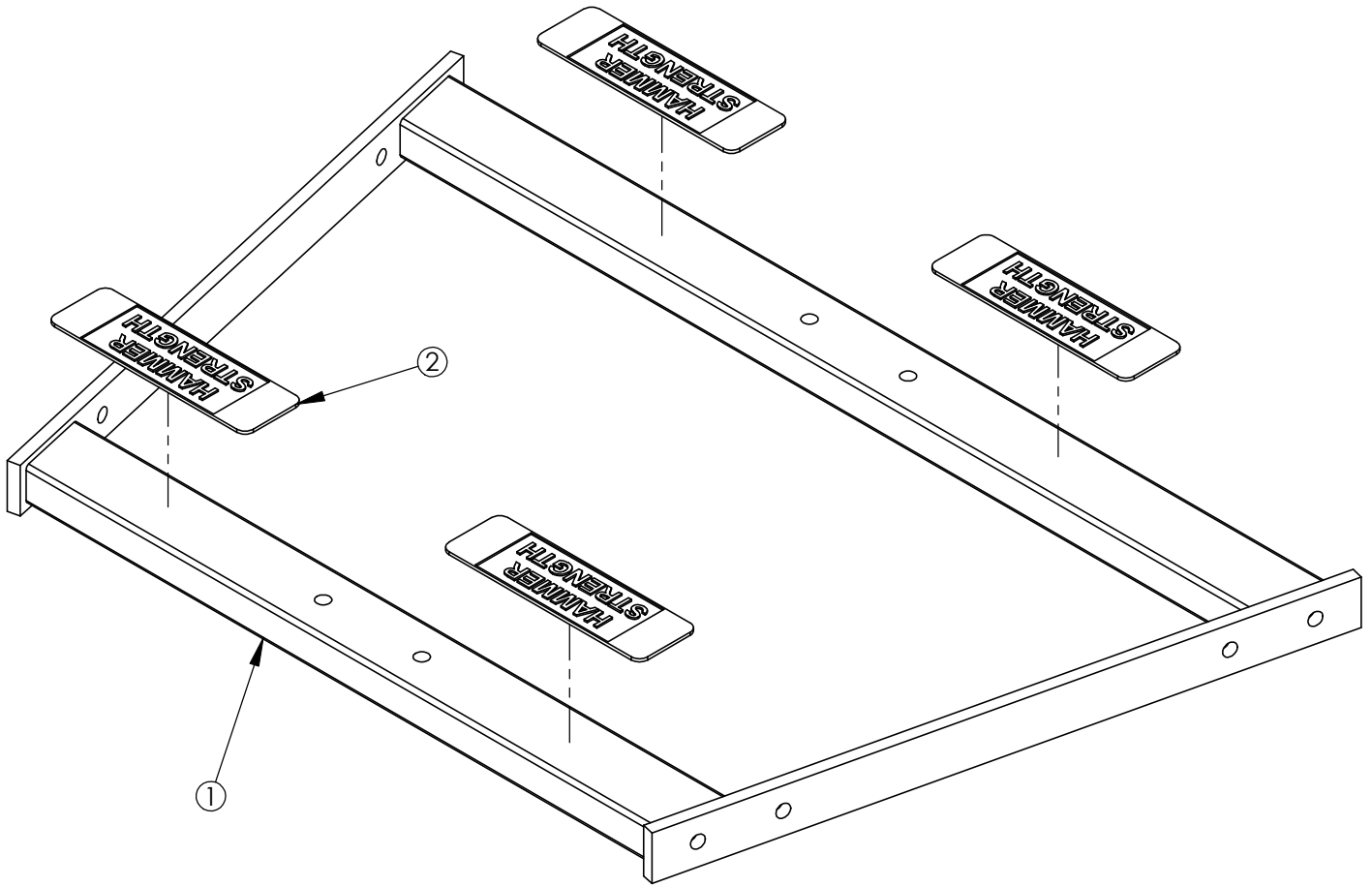
WEIGHT = 394.5 LB
LENGTH = 51"
WIDTH = 56"
HEIGHT = 82"

HAMMER STRENGTH EQUIPMENT ILDRW EXPLODED



ITEM NO.	QTY.	PART NO.	DESCRIPTION
1	1	ILDRW-CBX-0	ASSY, ILDRW, BOTTOM FRAME
2	1	ILDRW-CST-0	ASSY, ILDRW, SEAT FRAME
3	1	ILDRW-CSFL-1	ASSY, ILDRW, LSF
4	1	ILDRW-CSFR-1	ASSY, ILDRW, RSF
5	1	ILDRW-CFX-0	ASSY, ILDRW, FX
6	1	ILDRW-CTX-0	ASSY, ILDRW, TX
7	1	ILDRW-CMAL-2	ASSY, ILDRW, LEFT MARM
8	1	ILDRW-CMAR-2	ASSY, ILDRW, RIGHT MARM
9	1	CSTD-ST-1	ASSY, STD ST
10	28	WASH.5STAR	1/2" INTERNAL LOCK WASHER
11	24	H-BACK-WASH	BACKING WASHER
12	24	NUT.SLOCK	1/2 DIA THICK LOCK NUT
13	26	HHB.5X3	1/2 X 3 BOLT
14	2	NUT.5JAMLOCK	1/2 THIN LOCK NUT
15	6	WASH.375SAE	3/8" SAE FLAT WASHER
16	4	HHB.375X1.5	STEEL BOLT 3/8 X 1.5
17	2	HHB.375X2.5	STEEL BOLT 3/8 X 2.5
18	1	U-ROW	ROW CHEST PAD
19	1	U-12-5	SEAT PAD
20	4	MM-9	3 X 6 FLANGE RUBBER SLIPPER
21	6	H-HORN-ASSY	ASSY, WEIGHT HORN

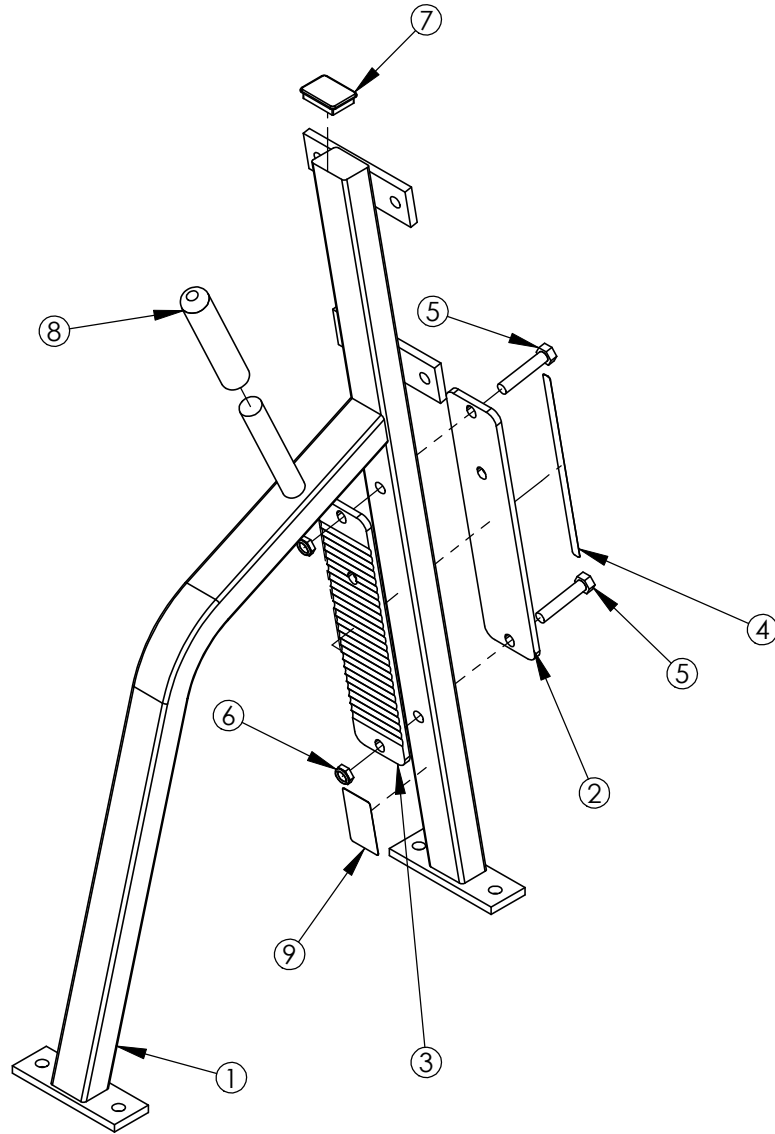
HAMMER STRENGTH EQUIPMENT
ILDRW-CBX-0 Base Frame Assembly



WEIGHT = 37 LB
 LENGTH = 27"
 WIDTH = 42"
 HEIGHT = 2"

ITEM NO.	QTY.	PART NO.	DESCRIPTION
1	1	ILDRW-BX-0	Bottom Frame
2	4	H-NONSKID3	2 5/8 X 9 Nonskid

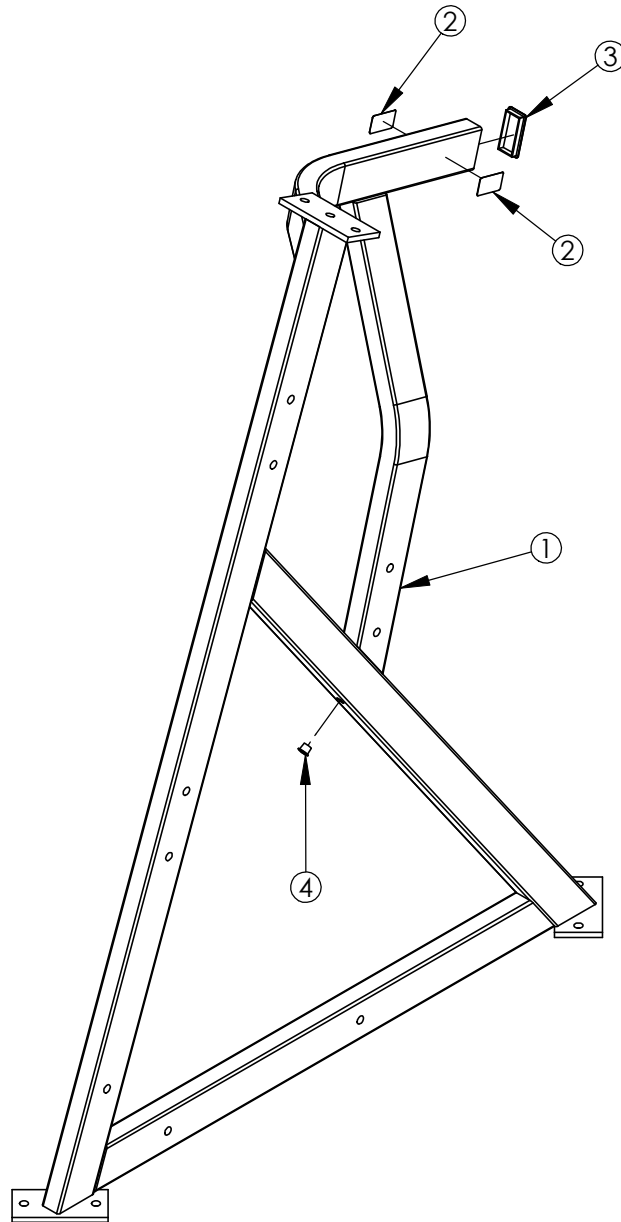
**HAMMER STRENGTH EQUIPMENT
ILDRW-CST-0, ASSY, ILDRW, SEAT FRAME**



ITEM NO.	QTY.	PART NO.	DESCRIPTION
1	1	ILDRW-ST-0	WLDMT, ILDRW, SEAT FRAME
2	1	H-SEATRCKS-N	PLASTIC SEAT GUIDES (PP229) NEW
3	1	H-SEATRCKS-RIB	SEATRACK BACK
4	1	SEAT NUMBER	SEAT ADJ. NUMBER
5	2	HHB.5X2.5	1/2 X 2 1/2 BOLT
6	2	NUT.5JAMFINE	1/2IN JAM NUT FINE
7	1	RC1520-1Q1	CAP:1-1/2 X 2 RECTANGLE PLUG
8	1	H-GRIP	HANDLE GRIPS (.938X16)
9	1	SERIAL NUMBER	SERIAL NUMBER

WEIGHT = 25 LB
LENGTH = 24"
WIDTH = 6"
HEIGHT = 41"

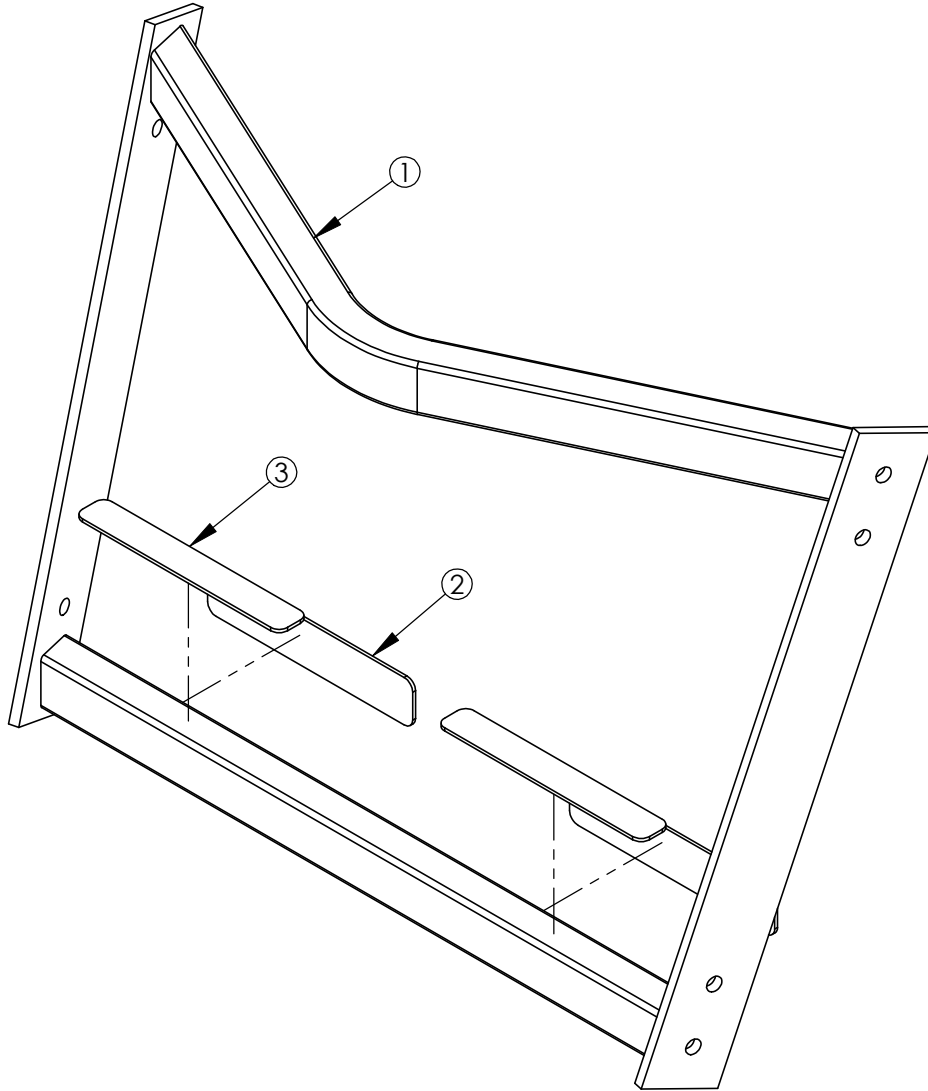
HAMMER STRENGTH EQUIPMENT
ILDRW-CSFL-1, ASSY, ILDRW, LSF



ITEM NO.	QTY.	PART NO.	DESCRIPTION
1	1	ILDRW-SFL-1	WLDMT, ILDRW, LEFT SIDE FRAME
2	2	STAY CLEAR	STAY CLEAR DECAL
3	1	RC1530-1Q1	CAP:1-1/2 X 3 RECTANGLE PLUG
4	1	H-HPLUG (REG)	9/16IN HOLE PLUG

WEIGHT = 65 LB
 LENGTH = 53"
 WIDTH = 12"
 HEIGHT = 65"

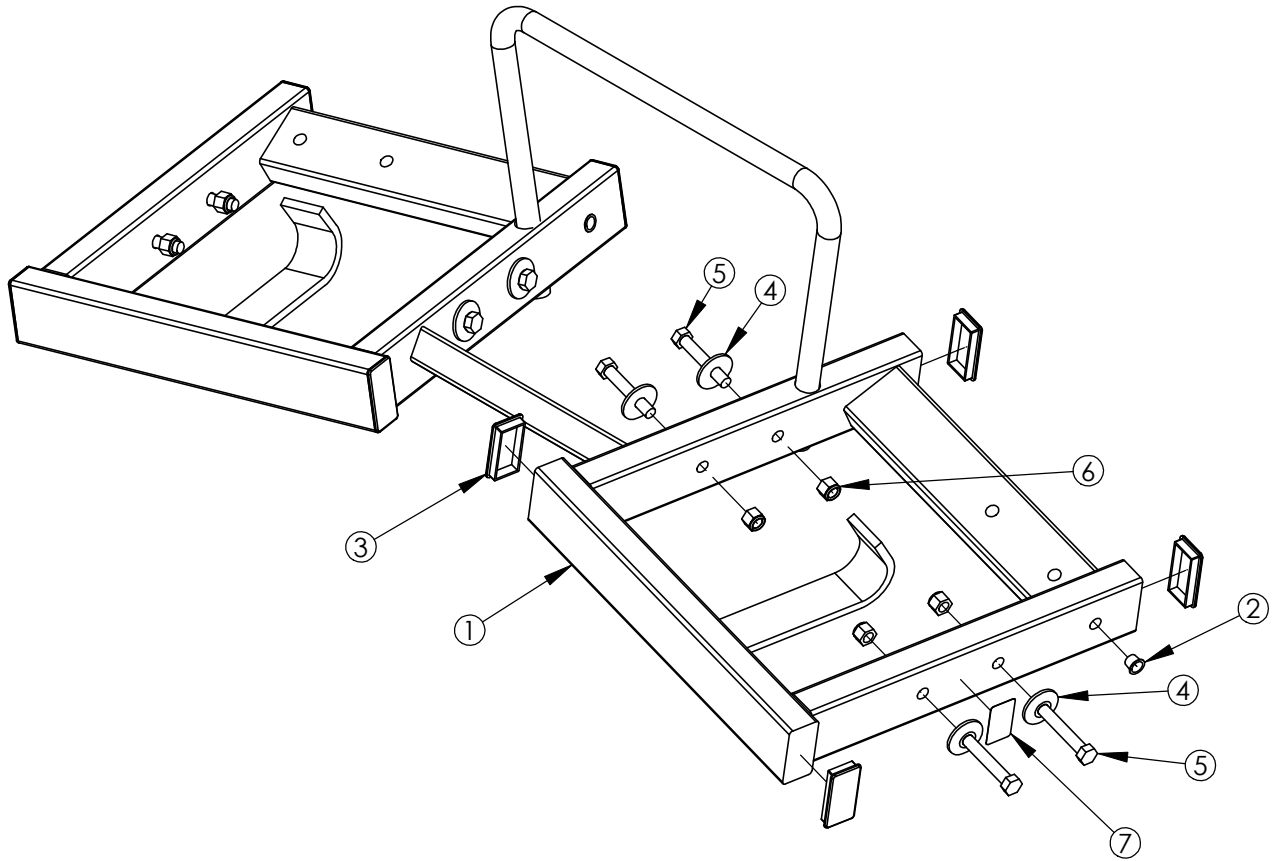
HAMMER STRENGTH EQUIPMENT
ILDRW-CFX-0, ASSY, ILDRW, FX



ITEM NO.	QTY.	PART NO.	DESCRIPTION
1	1	ILDRW-FX-0	WLDMT, ILDRW, FRONT FRAME
2	2	H-NONSKID 2X9	PLASTIC NON SKID STRIP 2 X 9
3	2	NONSKID 1 X 9	PLASTIC NON SKID STRIP 1 X 9

WEIGHT = 30 LB
 LENGTH = 33"
 WIDTH = 11"
 HEIGHT = 24"

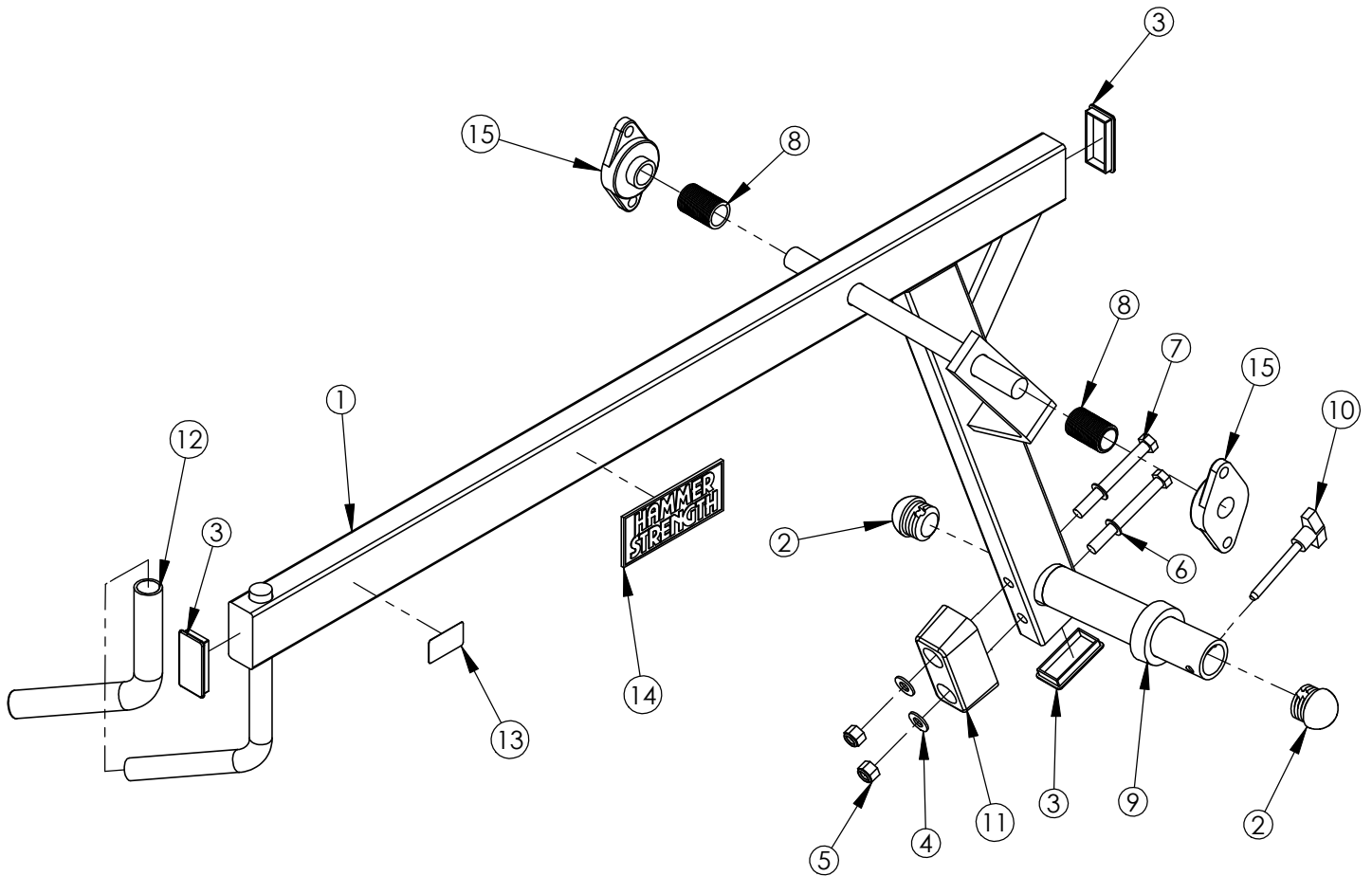
HAMMER STRENGTH EQUIPMENT
ILDRW-CTX-0, ASSY, ILDRW, TX



ITEM NO.	QTY.	PART NO.	DESCRIPTION
1	1	ILDRW-TX-0	WLDMT, ILDRW, WORKBOX
2	4	H-HPLUG (REG)	9/16IN HOLE PLUG
3	8	RC1530-1Q1	CAP:1-1/2 X 3 RECTANGLE PLUG
4	8	H-BACK-WASH	BACKING WASHER
5	8	HHB.5X3	1/2 X 3 BOLT
6	8	NUT.5LOCK	1/2 DIA THICK LOCK NUT
7	2	STAY CLEAR	STAY CLEAR DECAL

WEIGHT = 61 LB
 LENGTH = 50"
 WIDTH = 22"
 HEIGHT = 17"

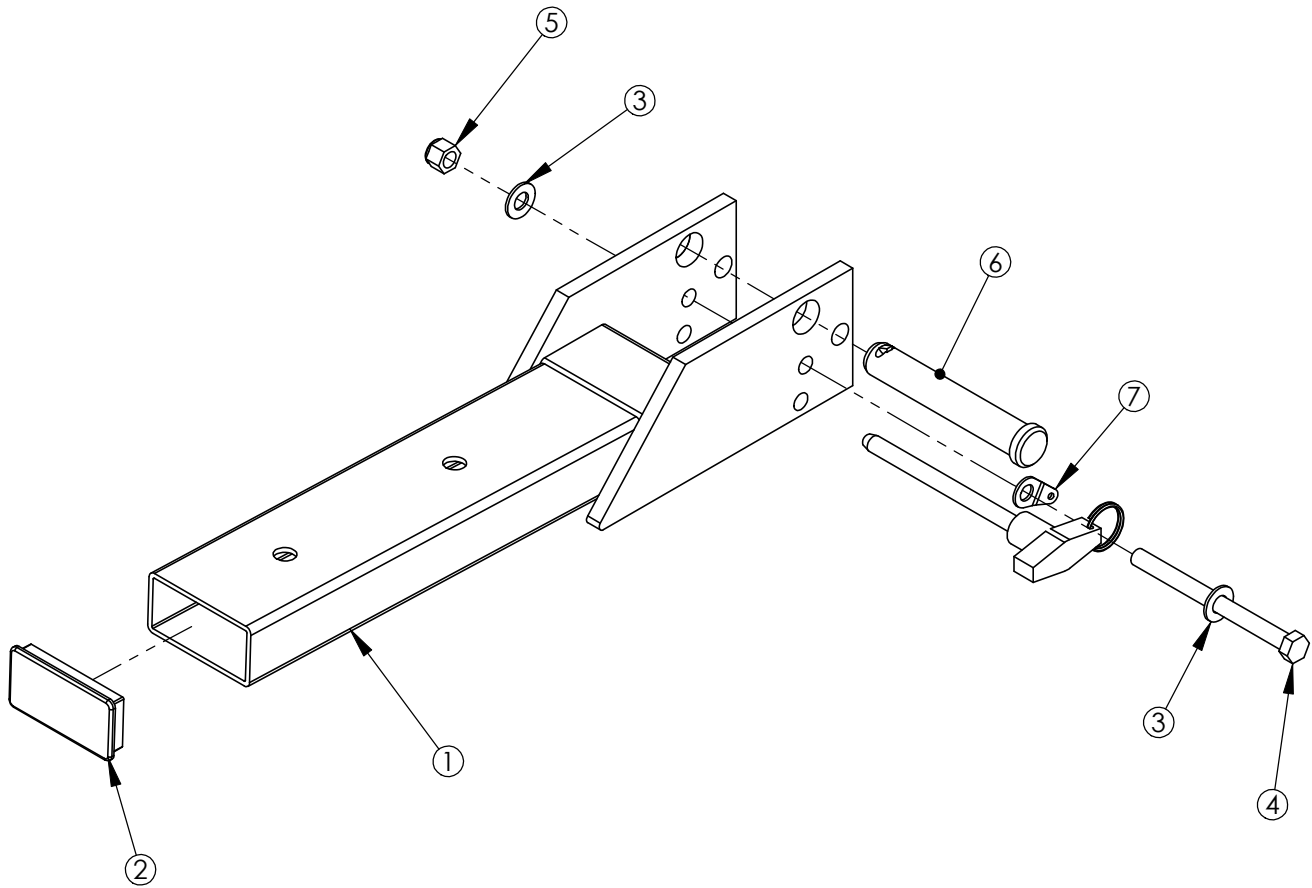
HAMMER STRENGTH EQUIPMENT
ILDRW-CMAL-2, ASSY, ILDRW, LEFT MARM



ITEM NO.	QTY.	PART NO.	DESCRIPTION
1	1	ILDRW-MAL-1	WLDMT, ILDRW, LEFT MOVEMENT ARM
2	2	RUBCAP1-2	RUBBER CAP #1
3	3	RC1530-1Q1	CAP:1-1/2 X 3 RECTANGLE PLUG
4	2	WASH.5SAE	1/2" SAE FLAT WASHER
5	2	NUT.5LOCK	1/2 DIA THICK LOCK NUT
6	2	WASH.5STAR	1/2" INTERNAL LOCK WASHER
7	2	HHB.5X4.5	1/2 X 4 1/2 BOLT
8	2	ACCORDIAN	SHAFT GUARD
9	1	H-RUBRNG	MM5 RING
10	1	SELECTOR PIN-3	SELECTOR PIN 3 IN.
11	1	H-BUMP-MED	MM2 MEDIUM
12	1	H-GRIP	HANDLE GRIPS (.938X16)
13	1	STAY CLEAR	STAY CLEAR DECAL
14	1	H-NAME PLATE	NAMEPLATE (45156-P)
15	2	H-BEAR-SML	SMALL BEARING

WEIGHT = 41 LB
 LENGTH = 54"
 WIDTH = 16 1/2"
 HEIGHT = 27"

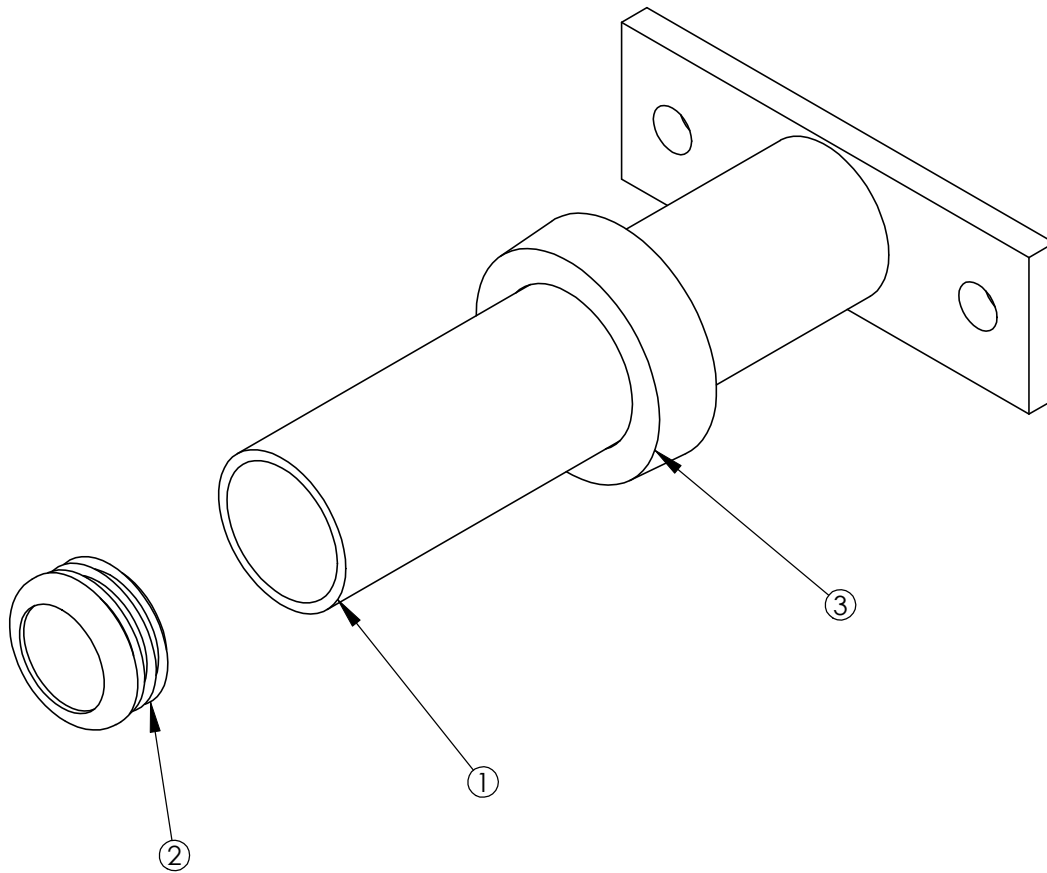
HAMMER STRENGTH EQUIPMENT
CSTD-ST-1: ASSY, STD ST



ITEM NO.	QTY.	PART NO.	DESCRIPTION
1	1	STD-ST	Standard Seat #1
2	1	RC1530-1Q1	CAP:1-1/2 X 3 RECTANGLE PLUG
3	2	WASH.375SAE	3/8" SAE FLAT WASHER
4	1	HHB.375X4.5	STEEL BOLT 3/8 X 4.5
5	1	NUT.375LOCK	3/8 THICK LOCK NUT
6	1	STD SEAT PIN	LONG SEAT PIN (HDADJ)
7	1	SELECTPIN	ASSY, STD SEAT SELECTOR PIN

WEIGHT = 9 lb
 LENGTH = 17"
 WIDTH = 4 3/4"
 HEIGHT = 3"

HAMMER STRENGTH EQUIPMENT
H-HORN-ASSY: WEIGHT HORN ASSEMBLY



ITEM NO.	QTY.	PART NO.	DESCRIPTION
1	1	H-HORN	WLDMT, WEIGHT HORN
2	1	8078001	CAP, END 1.75 DIA RD 14-20 GA
3	1	H-RUBRNG	MM5 RING

WEIGHT = 3 1/4 lb
 LENGTH = 8 5/8"
 WIDTH = 6"
 HEIGHT = 3"